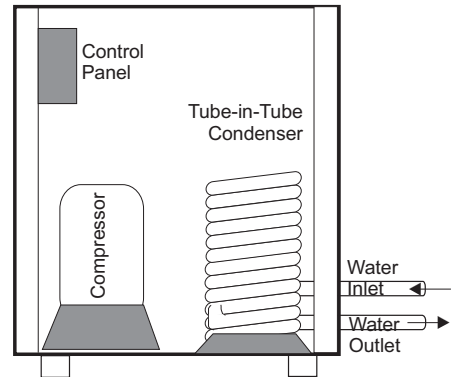
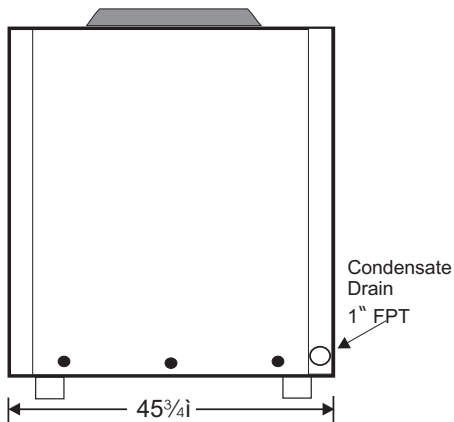


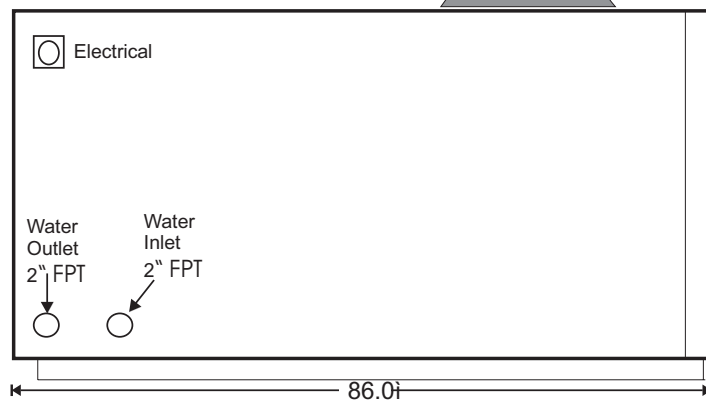
Front View



Right Side



Left Side



Back View

MODEL HPAS 2 SR 174

Heating Capacity	173,700 BTUH
Condenser Water Flow	40 GPM
Pressure Drop (cond.)	5.2 PSI
Entering Water Temp.	100 °F
Leaving Water Temp.	108.69°F
COP	4.82
Compressors	(1)MT 100 Reciprocating
Voltage	460/60/3Ø
RLA/LRA	15.7/79
Control Voltage	24 Volts
Min. Comp. Circuit Amp.	30

Cooling Capacity	141,900 BTUH
Evaporator Construction	Copper/Aluminum Fin
Cabinet Construction	Galvanize Steel
Entering Wet Bulb Temp.	72.0°F
Water Pump—3/4 HP	460/3/60-- 1.5 MP
Cooling EER	13.45
Condensers	Double Wall Vented
Construction (Cond.)	Tube-in-Tube
Fan 3/4 HP	460/3/60- 1.6 AMP
Refrigerant Type	R-22
Minimum Unit Amperage.	40 Amp.

STANDARD FEATURES

Liquid Receiver	Liquid Line Dryer
Compressors Service Valves	Thermostatic Expansion Valves
Liquid Line Sight Glass	Hinged Control Panel
Insulated Compressor Compartment	Pre-wired Mechanical Controls
Compressor Adjustable Time Delay Relay	Insulated Suction Lines
Single Phase/Voltage Protection	High Side Pressure Control
Five Year Compressor Warranty/One Yr. Parts	Low Side Pressure Control

Options

Micro-Processor Based Control System
Painted Galvanize Cabinet
304 or 316 Stainless Steel Cabinet
Refrigerant Pump Down Solenoid Valves
TechniCoat 10-1 Evaporator Coated Coil
Blower
Warranty on all Parts & Labor Year 2-5

Note: In View of Continuous Product Improvements, design and specification are subject to change without Notice

Heat Harvester Energy Efficient Products
 Manufactured by
 Environmentally Engineered Equipment, Inc.

MODEL HPAS 2 SR 174													
WB TEMP.	ENTER WATER TEMP. F @ 40 GPM,												
72 DEG .	70	75	80	85	90	95	100	105	110	115	120	125	130
CMBTUH	176,083	170,394	164,705	159,016	153,328	147,639	141,950	136,258	130,565	124,873	119,180	113,488	107,795
HMBTUH	199,377	195,097	190,814	186,535	182,253	177,974	173,691	169,664	165,634	161,607	157,576	153,550	149,519
WATTS	8,075	8,488	8,900	9,313	9,725	10,138	10,550	11,038	11,525	12,013	12,500	12,988	13,475
EER	21.81	20.07	18.51	17.07	15.77	14.56	13.45	12.34	11.33	10.39	9.53	8.74	8
COP	7.23	6.73	6.28	5.87	5.49	5.14	4.82	4.5	4.21	3.94	3.69	3.46	3.25
LV. WTR	79.97	84.76	89.54	94.33	99.12	103.9	108.69	113.49	118.28	123.08	127.88	132.68	137.48
WB TEMP.	ENTER WATER TEMP. F @ 40 GPM,												
67 DEG .	70	75	80	85	90	95	100	105	110	115	120	125	130
CMBTUH	161,698	156,371	151,045	145,719	140,393	135,066	129,740	124,483	119,225	113,968	108,710	103,453	98,195
HMBTUH	185,121	181,095	177,069	173,043	169,021	164,995	160,969	157,227	153,485	149,740	145,997	142,255	138,513
WATTS	8,113	8,494	8,875	9,256	9,638	10,019	10,400	10,844	11,288	11,731	12,175	12,619	13,063
EER	19.93	18.41	17.02	15.74	14.57	13.48	12.48	11.48	10.56	9.72	8.93	8.2	7.52
COP	6.69	6.25	5.85	5.48	5.14	4.83	4.53	4.25	3.98	3.74	3.51	3.3	3.11
LV. WTR	79.26	84.06	88.86	93.66	98.45	103.25	108.05	112.86	117.68	122.49	127.3	132.12	136.93
WB TEMP.	ENTER WATER TEMP. F @ 40 GPM,												
62 DEG .	70	75	80	85	90	95	100	105	110	115	120	125	130
CMBTUH	147,313	142,349	137,385	132,421	127,458	122,494	117,530	112,708	107,885	103,063	98,240	93,418	88,595
HMBTUH	170,863	167,093	163,324	159,554	155,786	152,016	148,247	144,790	141,332	137,876	134,418	130,961	127,503
WATTS	8,150	8,500	8,850	9,200	9,550	9,900	10,250	10,650	11,050	11,450	11,850	12,250	12,650
EER	18.08	16.75	15.52	14.39	13.35	12.37	11.47	10.58	9.76	9	8.29	7.63	7
COP	6.14	5.76	5.41	5.08	4.78	4.5	4.24	3.98	3.75	3.53	3.32	3.13	2.95
LV. WTR	78.55	83.36	88.17	92.98	97.79	102.6	107.42	112.24	117.07	121.9	126.72	131.55	136.38
WB TEMP.	ENTER WATER TEMP. F @ 40 GPM,												
57 DEG .	70	75	80	85	90	95	100	105	110	115	120	125	130
CMBTUH	132,928	128,326	123,725	119,124	114,523	109,921	105,320	100,933	96,545	92,158	87,770	83,383	78,995
HMBTUH	156,607	153,091	149,578	146,066	142,554	139,037	135,525	132,353	129,184	126,012	122,839	119,667	116,497
WATTS	8,188	8,506	8,825	9,144	9,463	9,781	10,100	10,456	10,813	11,169	11,525	11,881	12,238
EER	16.23	15.09	14.02	13.03	12.1	11.24	10.43	9.65	8.93	8.25	7.62	7.02	6.45
COP	5.6	5.27	4.97	4.68	4.41	4.16	3.93	3.71	3.5	3.31	3.12	2.95	2.79
LV. WTR	77.83	82.66	87.48	92.31	97.13	101.95	106.78	111.62	116.46	121.3	126.14	130.99	135.83
WB TEMP.	ENTER WATER TEMP. F @ 40 GPM,												
52 DEG .	70	75	80	85	90	95	100	105	110	115	120	125	130
CMBTUH	118,543	114,304	110,065	105,826	101,588	97,349	93,110	89,158	85,205	81,253	77,300	73,348	69,395
HMBTUH	142,349	139,093	135,833	132,577	129,319	126,063	122,803	119,919	117,031	114,147	111,259	108,376	105,487
WATTS	8,225	8,513	8,800	9,088	9,375	9,663	9,950	10,263	10,575	10,888	11,200	11,513	11,825
EER	14.41	13.43	12.51	11.64	10.84	10.07	9.36	8.69	8.06	7.46	6.9	6.37	5.87
COP	5.07	4.79	4.52	4.27	4.04	3.82	3.62	3.42	3.24	3.07	2.91	2.76	2.61
LV. WTR	77.12	81.96	86.79	91.63	96.47	101.31	106.14	111	115.85	120.71	125.57	130.42	135.28
WB TEMP.	ENTER WATER TEMP. F @ 40 GPM,												
47 DEG .	70	75	80	85	90	95	100	105	110	115	120	125	130
CMBTUH	106,291	102,369	98,448	94,526	90,604	86,682	82,760	79,188	75,616	72,044	68,473	64,901	61,329
HMBTUH	130,011	126,943	123,875	120,806	117,737	114,669	111,600	108,966	106,333	103,700	101,067	98,434	95,800
WATTS	8,200	8,450	8,700	8,950	9,200	9,450	9,700	9,975	10,250	10,525	10,800	11,075	11,350
EER	12.96	12.11	11.32	10.56	9.85	9.17	8.53	7.94	7.38	6.85	6.34	5.86	5.4
COP	4.65	4.4	4.17	3.95	3.75	3.56	3.37	3.2	3.04	2.89	2.74	2.6	2.47
LV. WTR	76.5	81.35	86.2	91.04	95.89	100.74	105.58	110.45	115.32	120.19	125.06	129.92	134.79
WB TEMP.	ENTER WATER TEMP. F @ 40 GPM,												
42 DEG .	70	75	80	85	90	95	100	105	110	115	120	125	130
CMBTUH	94,040	90,435	86,830	83,225	79,620	76,015	72,410	69,219	66,028	62,836	59,645	56,454	53,263
HMBTUH	117,675	114,797	111,916	109,038	106,156	103,278	100,397	98,018	95,636	93,256	90,874	88,495	86,113
WATTS	8,175	8,388	8,600	8,813	9,025	9,238	9,450	9,688	9,925	10,163	10,400	10,638	10,875
EER	11.5	10.78	10.1	9.44	8.82	8.23	7.66	7.14	6.65	6.18	5.74	5.31	4.9
COP	4.22	4.01	3.81	3.63	3.45	3.28	3.11	2.96	2.82	2.69	2.56	2.44	2.32
LV. WTR	75.89	80.74	85.6	90.45	95.31	100.17	105.02	109.9	114.78	119.66	124.55	129.43	134.31